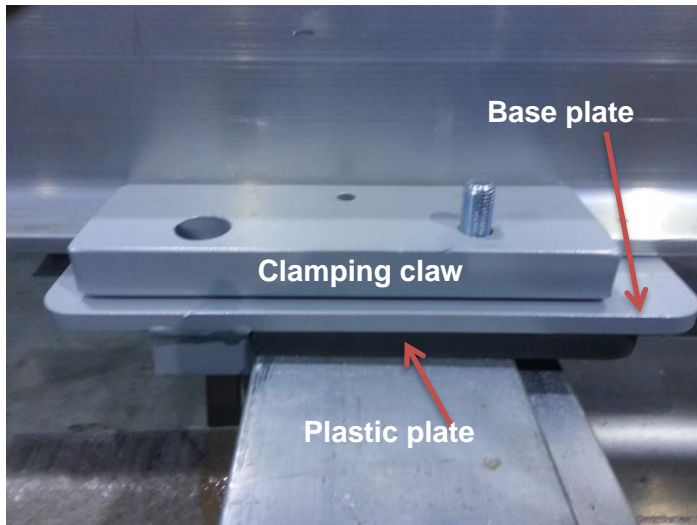
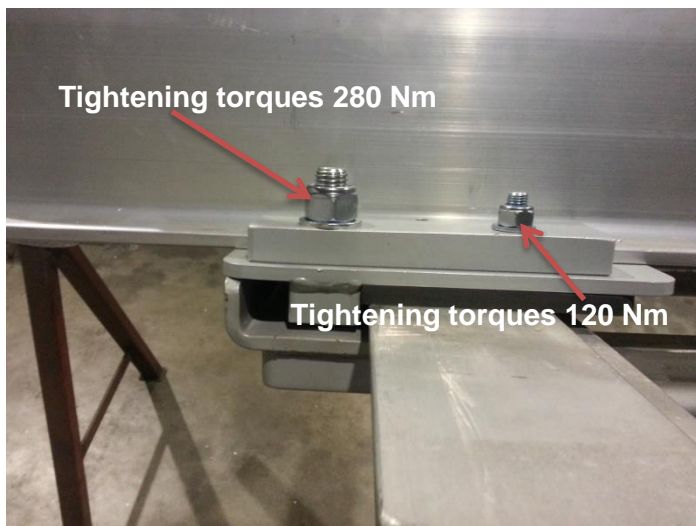


# Assembly Instructions

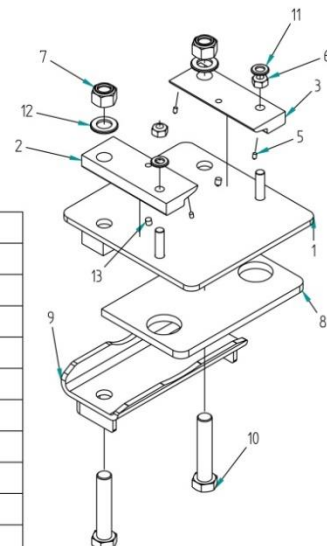
## Ecco fix fastening 4 with plastic plate EB-2100 and without plastic plate EB-2500



1. Disassemble the fastening and place the base plate (with plastic plate) on the vehicle frame.
2. Place the bunk on the base plate of the fix fastening, move the bunk sideways and mount the clamping claw loosely.
3. Mount the clamp with the screws check the lateral measure of the bunk to the vehicle frame. Tighten the screws with a small impact wrench so that the steel splashes of the clamping claws are pressed into the aluminum bunk and then fastened after tightening torques.



**IMPORTANT!!!**  
 All screws must be inspected and tightened after approximately two weeks of use



Pos.	Menge	Dateiname
1	1	EB-2017.asm
2	1	EB-2007.par
3	1	EB-2008.par
4*	1	Fahrzeugrahmentra.gerdummy.par
5	4	Zylinderstift 5x7 DIN6325.par
6	2	M12 VZ DIN985.par
7	2	M20 VZ DIN985.par
8	1	EB-2004.par
9	1	EB-2018.asm
10	2	M20 X 100 DIN931.par
11	2	B13 VZ DIN125.par
12	2	B21 VZ DIN125.par
13	2	Zylinderstift 8x15 ISO2338.par
14*	2	M12X50VZDIN931 10.9.par